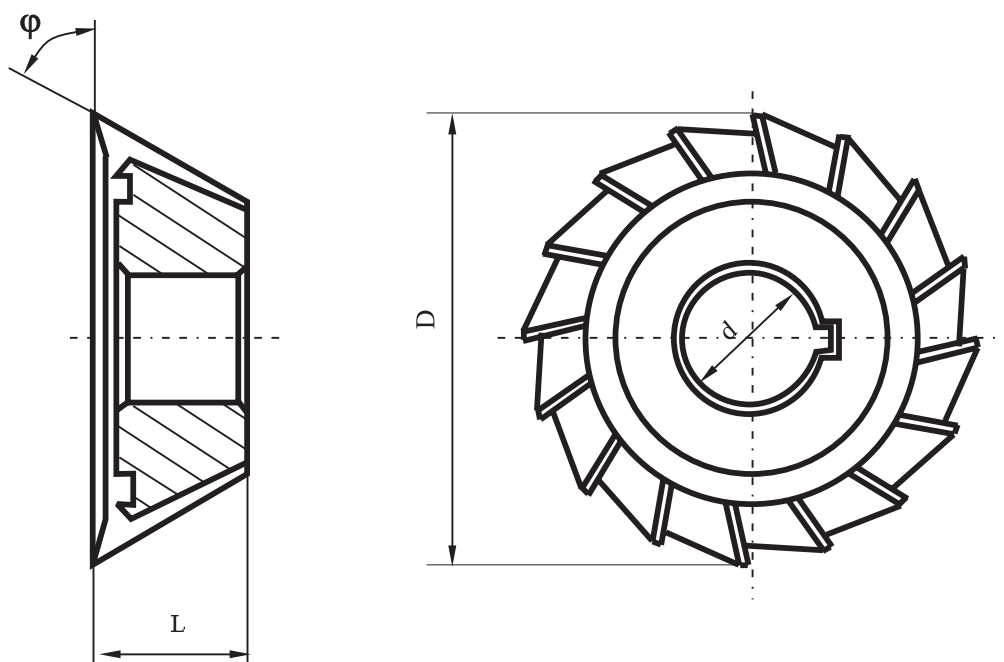




Freza unghiulara conica
Angular milling cutter

STAS 3541-80



D mm	L mm	φ°	d mm	Nr. de dinti z	Pret ()
1	2	3	4	5	6
40	10	45; 60	13	12	
40	12	75; 90	13	12	
50	12	55; 60; 65; 70	16	14	
50	16	75; 80; 85; 90	16	14	
63	12	45; 50	22	16	
63	16	55; 60; 70	22	16	
63	20	75; 80; 85; 90	22	16	
80	25	45; 50; 60	22	18	
80	30	65; 70; 75; 80; 85; 90	22	18	