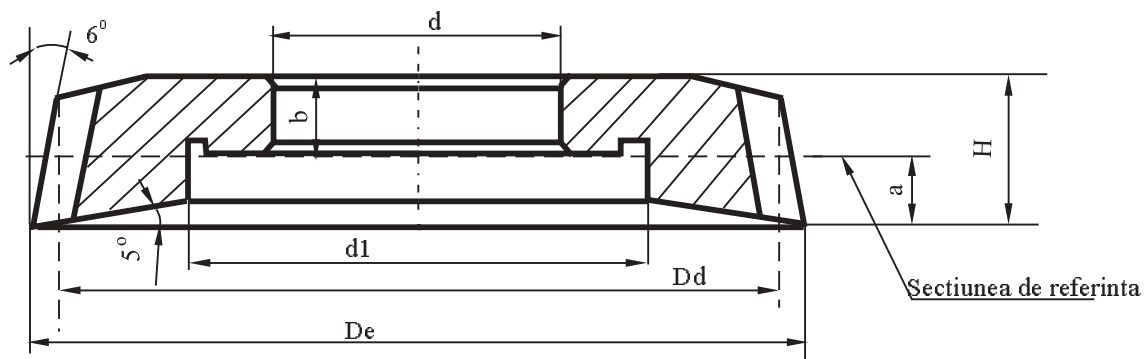


## Cutit roata tip I-disc Gear cutters disk-shape type I

STAS 6655/2-80



Diametrul de divizare / Nominal pitch diameter  **$Dd \cong 75\text{mm}$**

Modul m (mm)	Numar de dinti z	Diametrul			Inaltimea cutitului H (mm)	Pret ( )
		de divizare Dd (mm)	de varf De (mm)	alezajului d (mm)		
1	2	3	4	5	6	7
1	76	76	79.76	31.743	12	
1.125	67	75.375	79.55	31.743	12	
1.25	60	75	79.58	31.743	12	
1.375	56	77	81.93	31.743	12	
1.5	50	75	80.26	31.743	12	
1.75	43	75.25	81.25	31.743	15	
2	38	76	82.68	31.743	15	
2.25	34	76.5	83.30	31.743	15	
2.5	30	75	82.40	31.743	15	
2.75	28	77	85.38	31.743	17	
3	25	75	83.80	31.743	17	
3.25	24	78	87.42	31.743	17	
3.5	22	77	86.98	31.743	17	
3.75	20	75	85.54	31.743	17	
4	19	76	87.24	31.743	17	
4.25	18	76.5	88.46	31.743	17	
4.5	17	76.5	89.14	31.743	17	