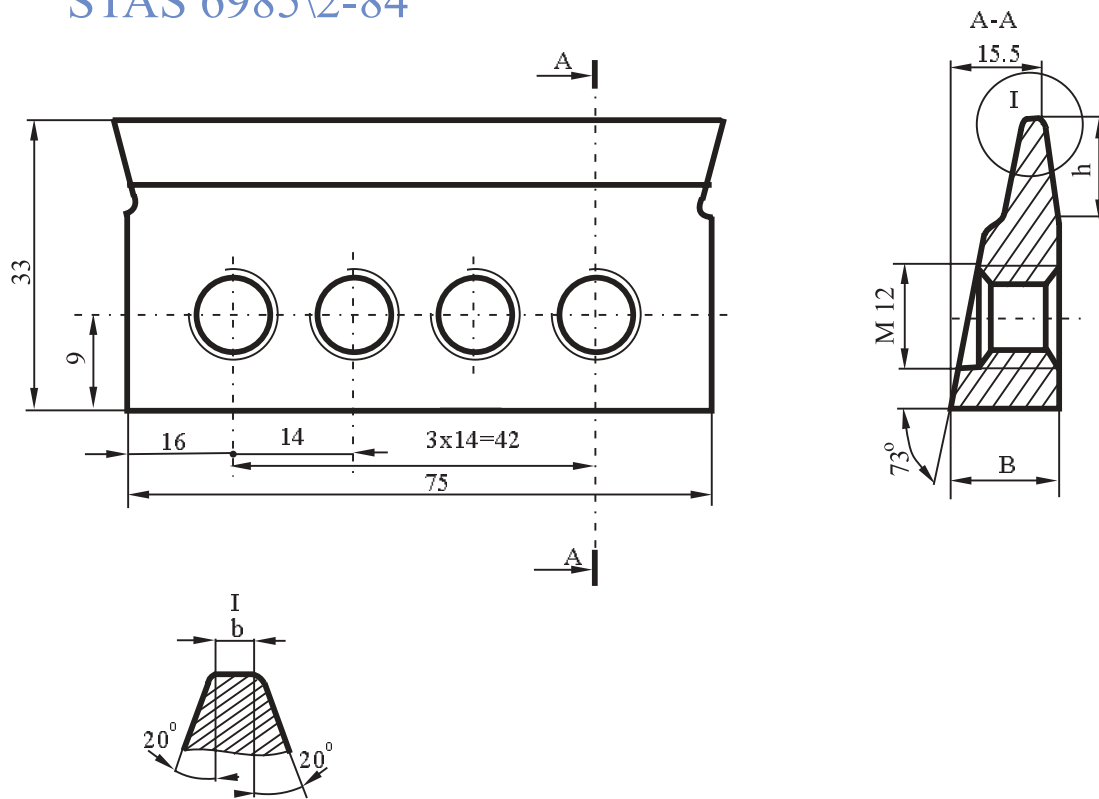




Cutite de rabotat roți dinate conice tip II

Tapered gear planing tools II type

STAS 6985\2-84



Modul mm	B mm	h mm	b mm	Pret ()
1	2	3	4	5
0.5...0.55	16.01	1.4	0.2	
0.6...0.7	16.16	1.8	0.24	
0.8...0.9	16.30	2.2	0.32	
1...1.125	16.59	3	0.4	
1.25...1.375	16.68	3.3	0.50	
1.5...1.75	17.03	4.2	0.60	
1...2.25	17.43	5.3	0.80	
2.5...2.75	17.86	6	1	
3...3.25	18.27	7.6	1.20	
3.5...3.75	18.70	8.8	1.40	
4...4.5	19.36	10.6	1.60	
5...5.5	20.24	13	2	