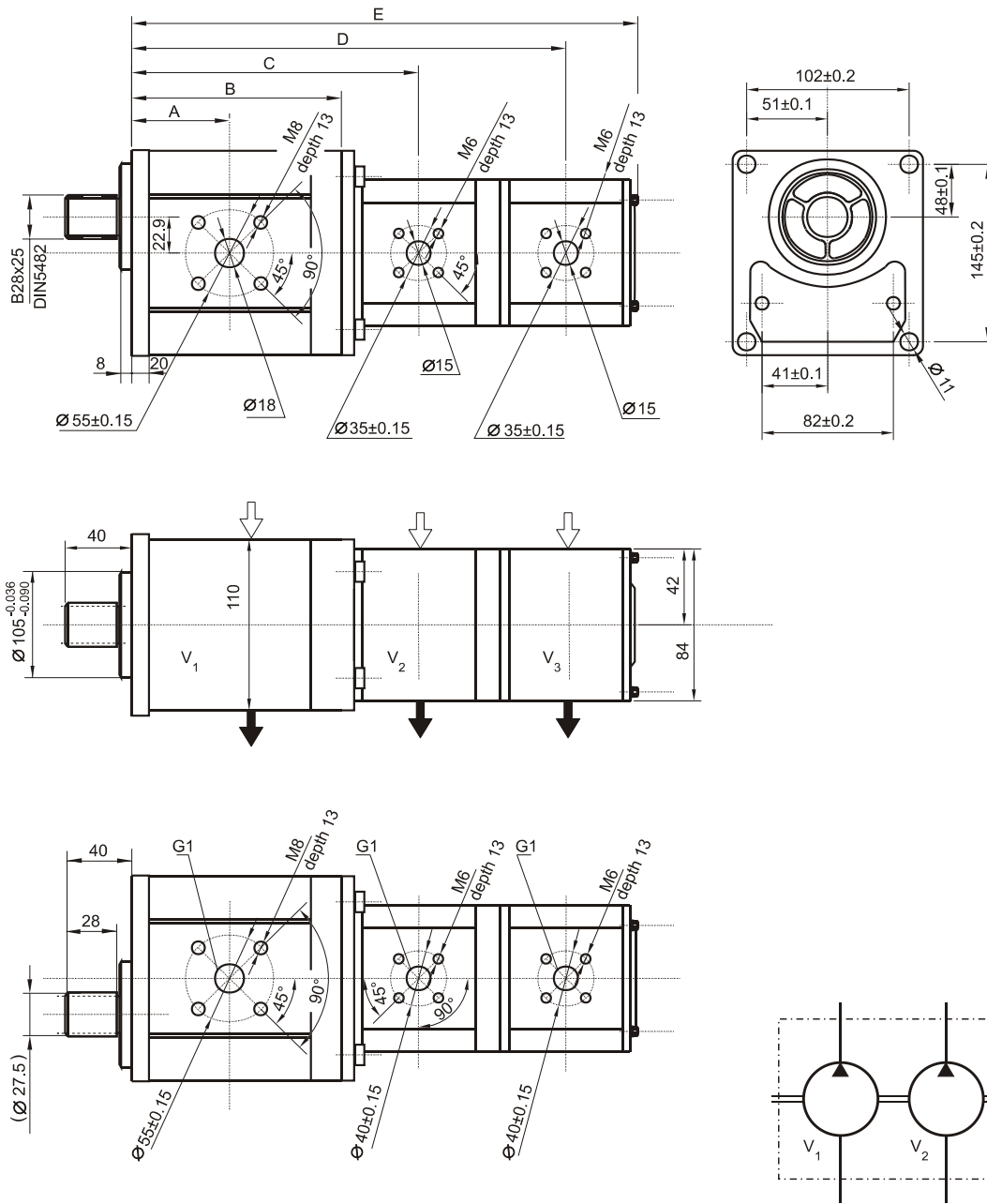


PRD 322

3.1.000*



Type code		Displacement $V_1+V_2+V_3$ cm ³ /rev	Dimensions										Weight Kg	
			A	B	C	D	E	F1	F2	F3	G1	G2		G3
PRD322-31141D	PRD322-31141S	22.5+8+4	62.7	131.7	167.3	253.3	302.7				26	15	15	
PRD322-31152D	PRD322-31152S	22.5+14+5.5	61	131	179	271	316				26	20	15	17.1
PRD322-31322D	PRD322-31322S	32+5.5+5.5	64.5	140	181	265	313				26	15	15	18.7